

### AQUALITE™ SERIES



### METAL HALIDE LAMPS FOR AQUARIUMS

USHIO Aqualite™ Metal Halide lamps feature the best combination of color balance and color rendering quality available for aquarium and reef system lighting.

The Aqualite™ lamps have a high color temperature from a single point source which simulates the appearance of sun light in ocean depths of approximately 5 meters. The superior spectrum balance of the Aqualite™ lamps make for ideal lighting conditions for reef systems including fish, coral and other marine fauna and flora.

Available in Double Ended 75W, 150W, 250W; Single Ended 175W, 250W, 400W, 1000W with a color temperature of 10,000K



### FEATURES & BENEFITS

- High color temperature — 10000K
- Excellent color rendering — 90 CRI
- Superior spectrum balance
- High color stability
- High intensity
- Made in Germany

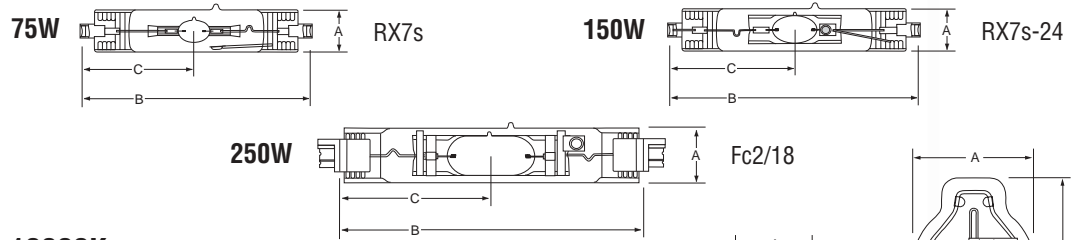
### APPLICATIONS

- Marine aquariums
- Terrariums
- Salt water reefs; hard corals
- Plants
- Fountains
- Waterscape
- Pools

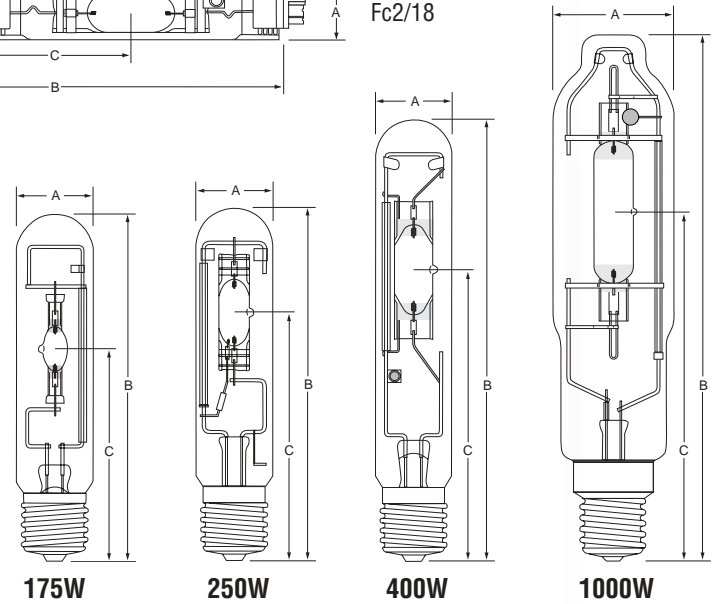
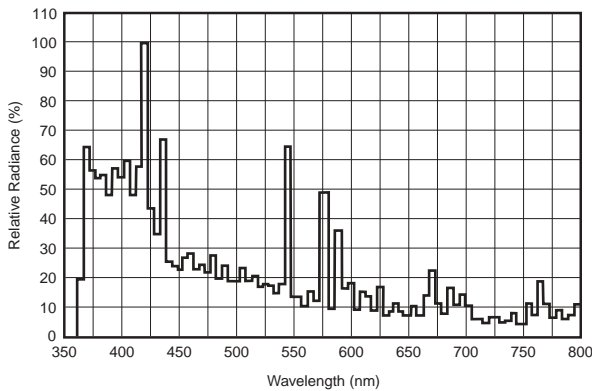
Distributed by:

### Chromaticity Coordinates:

$x = 0.285$   
 $y = 0.275$



### 1000W • 10000K SPECTRAL DISTRIBUTION



Watts (W)	Ushio Ordering Code	Ushio Lamp Code	Lamp Current (A)	Luminous Flux (lm)	CRI	Dimensions			Avg Life (h)	Ballast
						Dia (A)	MOL (B)	LCL (C)		

#### DOUBLE ENDED — RX7s & Fc2/18 BASE

75	5000870	UHI-70AQ	0.9	3100	80	20	114.2	57	6000	M85**
150	5000440	UHI-150AQ	1.8	7000	90	23	132.0	66	6000	M81**
250	5000763	UHI-250AQ	3.0	10500	90	25	139.0	69.5	6000	M80**

#### SINGLE ENDED — E39 BASE

175	5000761	UHI-S175AQ	1.5	7500	90	46	211	127	6000	M137*
250	5001070	UHI-S250AQ	3.0	11000	90	46	225	150	8000	M58
400	5000760	UHI-S400AQ	4.0	18500	90	46	275	175	8000	M135*
1000	5000910	UHI-S1000AQ	9.5	50000	90	76	340	220	3000	M83**

**Burn Position:** Double Ended: Horizontal  $\pm 45^\circ$   
Single Ended: Universal  $360^\circ$   
(1000W): Horizontal  $\pm 60^\circ$

All dimensions are in millimeters

Case quantity: Double Ended: 10/case  
Single Ended: 12/case; 1000W 6/case



Aqualite™ Metal Halide lamps are manufactured under ISO 9001 guidelines ensuring quality and security for the purchaser

#### Recommended Ignition Voltage: 4kV

\*Pulse type ballast with ignitor \*\*Need ignitor with 4kV  
Lamp should be switched off for at least 15 minutes/week  
Enclosed fixture rated

!Use only in fixtures installed with tempered safety glass  
!For architectural use — UV protective glass is necessary

Form No. S-UHI/AQ-0802

The specifications on this sheet supercede all previously published specifications and may be subject to change for design and specification improvement without prior notice.